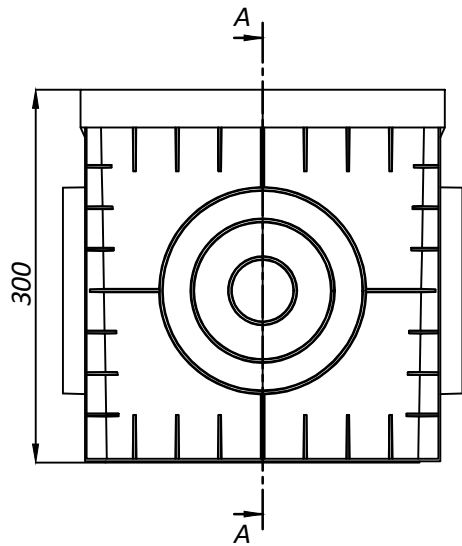
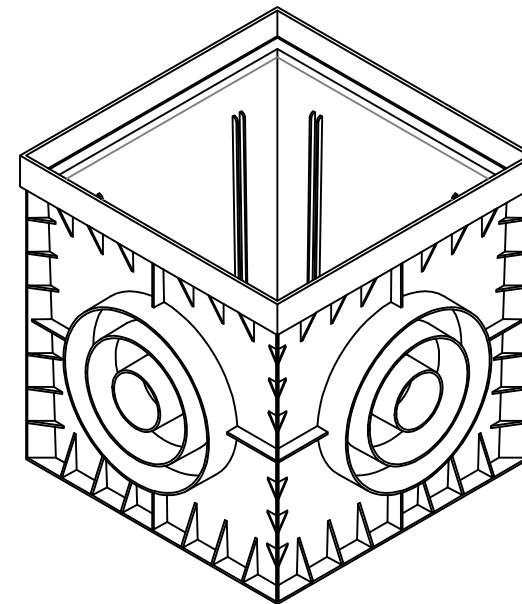
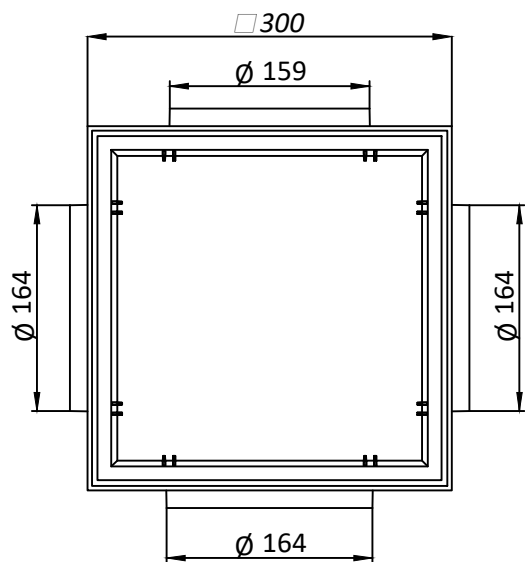
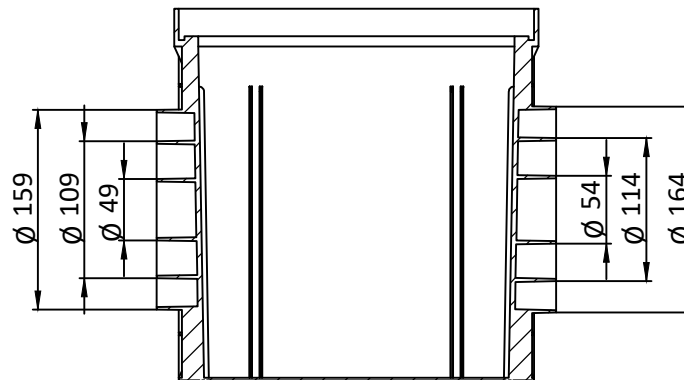


N-02E8



SECTION A-A



				Art. 8370-N		
				Camin PP Basic		
Rev	Fisa	Doc. Nr.	Semn.	Data	Let.	Masa,kg
				25.07.18		1.35
				Scara		
				1:4		
				Fisa		
				Fisa 1		
				Polipropilena(PP)		
Contact	tehnica@standartpark.ro					

Camin PP Basic

Art. 8370-N

8370-N

Let. Masa,kg Scara

1.35 1:4

Fisa Fisa 1

Polipropilena(PP)



Contact tehnica@standartpark.ro